



ADAMANT 82070

FIRE EXTINGUISHER CABINET 6 kg



External dimensions (mm): 611x310x250

Internal Dimensions (mm): 552x229x150

Weight (kg): 3.5

Ring Diameter (mm): 150/170

Quantity per pallet (n°): 60

Pallets dimensions (cm): 100x120x270

Pallet Weight (kg): 235

COMPONENTS

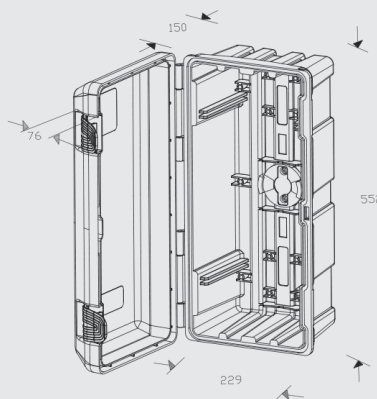
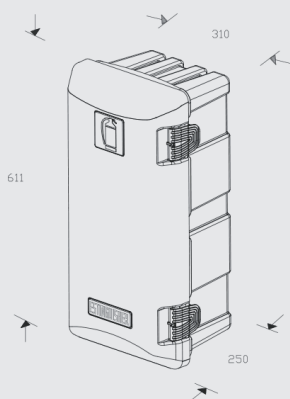
- Label
- Inspection window in polycarbonate
- Nylon clamping ring with PVC spring
- Double handles in Nylon
- Internal EPDM seal

TECHNICAL FEATURES

Material: polypropylene, nylon, polycarbonate

Production Process: Injection Molding

Label with company logo



TEST AND CERTIFICATIONS

- TÜV RHEINLAND (4/2010):

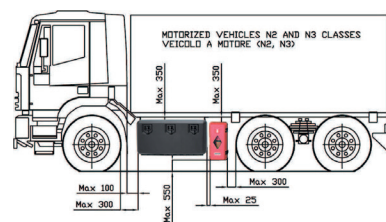
Flammability: Flame Speed (Renault D451333)

Weather resistance: for dust and water (DIN 40050-9) IP59K

Resistance to hydrocarbons and to lubricating oils (ECE R3)

Ageing: accelerated UV test (ISO 4892-2)

Compression: 1200 kg at various temperatures



- TÜV RHEINLAND or side protection (conformity to EU Directives 89/297 / EEC and ECE Reg. N. 73)

PRODUCT FEATURES

- 1 Double ergonomic handles in Nylon
- 2 Inspection window with "OR" seal
- 3 Lockable against burglary or mishandling
- 4 Nylon pins for lid-body hinges
- 5 Extinguisher holding kit composed of: PVC clamping spring with 4 holes, and Nylon clamping ring available in two sizes
- 6 Grey internal Seal in EPDM
- 7 Bayonet cap for clamping ring
- 8 Reinforced fixing points



OPTIONALS

Brackets: 88040, 88041, 88042

OPTIONS: Custom resin labels (pictogram and logo)

SPARE PARTS: 89505, 89507, 89506, 89508, 89504