

EZ Loc is a medium-duty cargo security seals featuring non-preformed security cable that frays when cut with various marking options for customized tracking. The EZ Loc 1/16" is approved by the sweetener industry for bulk rail & truck shipments and the 3/32" is preferred by the chemical & food processing industries.

EZ Loc 1/8" is ISO 17712: 2013 High Security seal and C-TPAT Compliant.

### APPLICATIONS

- Rail Cars
- Containers
- Hopper Cars
- Tank Cars
- Tanker Trucks
- Truck & Trailer Doors
- Valves and Meters
- Intermodal Containers

### FEATURES

- Available as a Standard Product
  - Order online and GET IT NOW, FOR LESS!
- Available as Non-ferrous EZ Loc for flammable environments
- Features non-preformed security cable that frays when cut
- Remove with cable cutters
- Pulls tight for maximum security

### MATERIAL

- Lock body: corrosion-resistant cast zinc
- Cable: galvanized non-preformed aircraft control cable

### STRENGTH CHARACTERISTICS

- 1/16" Tensile strength: 750 lbs (3.3 kN)
- 3/32" - Tensile strength: 100lbs (4.6kN)
- 1/8" - Tensile strength: 3300lbs (15 kN)

### DIMENSIONS

Cable diameter:

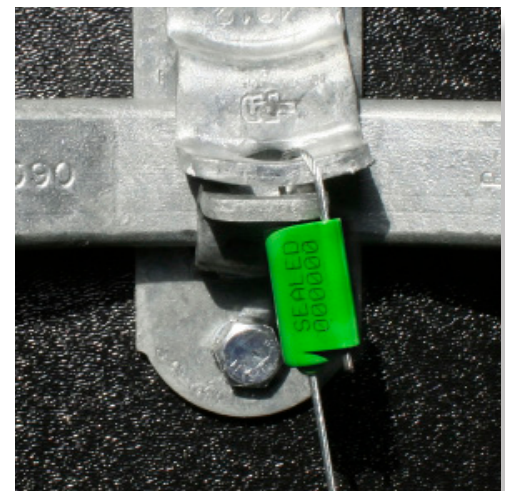
1/16" (1.5 mm)

3/32" (2.5 mm)

1/8" (3.2mm)

Standard cable length: 12" (305mm)

Custom lengths available in 2" (5 cm) increments



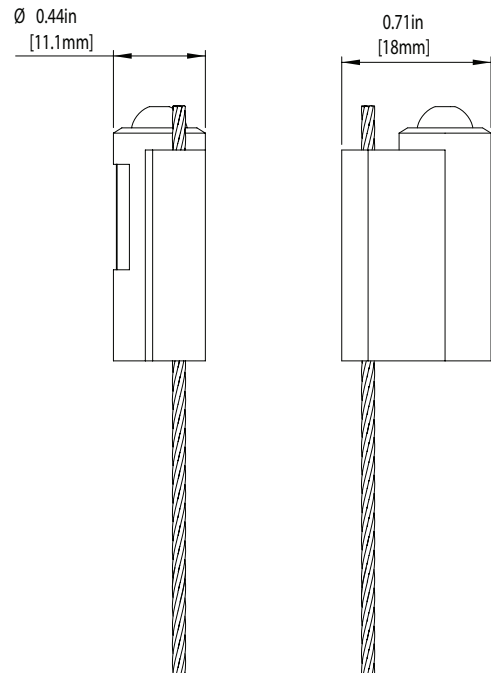
SP = Standard Product  
 Seals shown not actual size.

# EZ Loc® Cable Seal 1/16", 3/32" & 1/8"



## MARKING/PRINTING

- Standard Marking: Cold Stamped Sequential Numbering
- Minimum quantities apply to customized versions of this product – please call for details
- Cold Stamped with 2 lines up to 6 characters and 6 digits
- Optional: Ink Jet or Laser with 2 lines up to 8 characters and 6 digits
- Laser Tag Serial Number Transfer optional



## COLORS

Standard Color: Mill Finish



Custom colors: Black / Blue / White / Green / Yellow / Orange



## PACKAGING

Packaging: 500 per box

Box dimensions: 16"x 13"x 6" (41cm x 33 cm x 16cm)

Weight: 30 lbs. (13 kg) per box, .0205 m3, .72 ft3.

## PRODUCT NUMBERS

CEZ116, CEZ332, CEZ181277HS

## PATENT NUMBERS

5,352,003

