

SP

Intermodal II[®] Bolt Seal



HD

The Intermodal II[®] is an ISO 17712: 2013, C-TPAT Compliant high security bolt seal which consists of a steel bolt and a plastic-coated steel locking chamber. The Intermodal II container seals are designed for ISO containers and high value cargo shipments.

ISO 17712: 2013 and C-TPAT COMPLIANT



BOLT SEAL

APPLICATIONS

- Truck & Trailer Doors
- Intermodal Containers
- Box Car Doors

FEATURES

- Available as a Standard Product
 - Order online and GET IT NOW, FOR LESS!
- ISO 17712: 2013 and C-TPAT Compliant
- Locking insert spins freely to confirm seal integrity
- High impact plastic cover on locking chambers clearly indicate tampering
- Removed with bolt cutters
- Metal locking end encased in consecutively numbered body
- 'H' on bottom of body base indicating 'High Security'

MATERIAL

- Made of carbon steel with zinc chromate finish
- ABS plastic body on locking case

DIMENSIONS

Bolt: 3.5" (89mm) long and 3/8" (9.5 mm) in diameter.

Bolt head and lock body conform to ISO 17712: 2013 specifications

STRENGTH CHARACTERISTICS

- Average pull-apart force is 4,713 lbs (2,138 kg, 21.0 kN)
- Average cutting force (shear) is 5,477 lbs (2,484 kg, 24.4 kN)
- Average impact force is 30-29 ft-lb (41-53 Nm)
- Bending moment: 63 ft-lb (85 Nm)



ASIS 14 accolades Winner PEOPLE'S CHOICE AWARD FOR MOST INNOVATIVE PRODUCT

SP = Standard Product
Seals shown not actual size.



ANGOLA, IN • ATLANTA, GA • TALLAPOOSA, GA • MARTLEY, UK • MEXICO CITY, MX • MONTERREY, MX • SUZHOU, CN

260.624.4800 • 800.344.4772 • www.tydenbrooks.com • info@tydenbrooks.com



Intermodal II[®] Bolt Seal



MARKING/PRINTING

- Minimum quantities apply to customized versions of this product – please call for details
- Stock seals have white locking cases and are lazed with “SEALED”
- Characters are 1/4” (6.35mm) high
- Heat stamping or laser barcode marking also available

STANDARD COLORS

Standard Casing Color: White



Custom Casing Colors: Red / Blue / Green / Yellow / Orange



PRODUCT NUMBERS

9254095-C - 3/8” (9mm) straight bolt, lazed locking case w/steel insert

*Note: C denotes color selection

PACKAGING

Standard Packaging: 10 Bolts/Bag

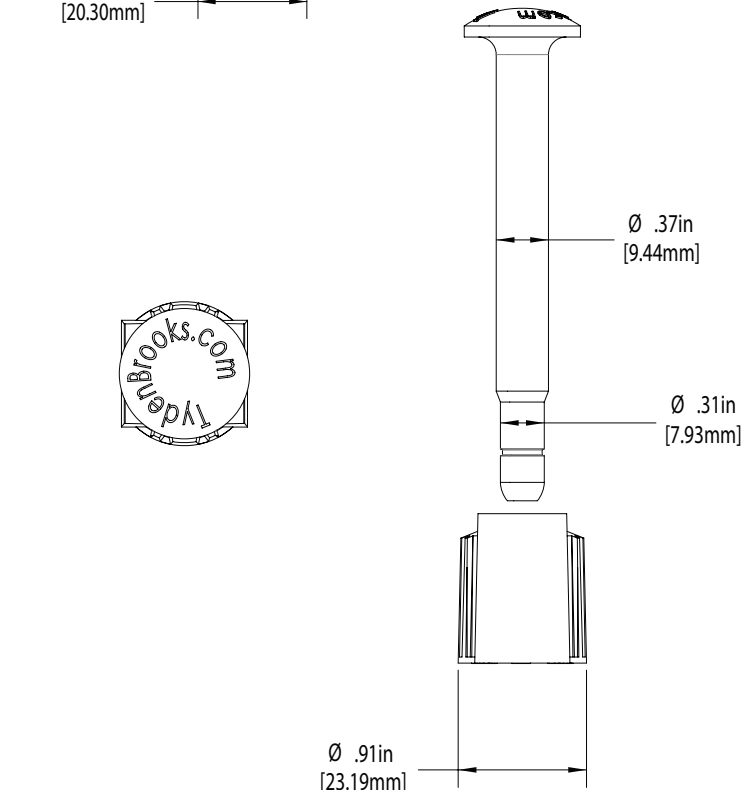
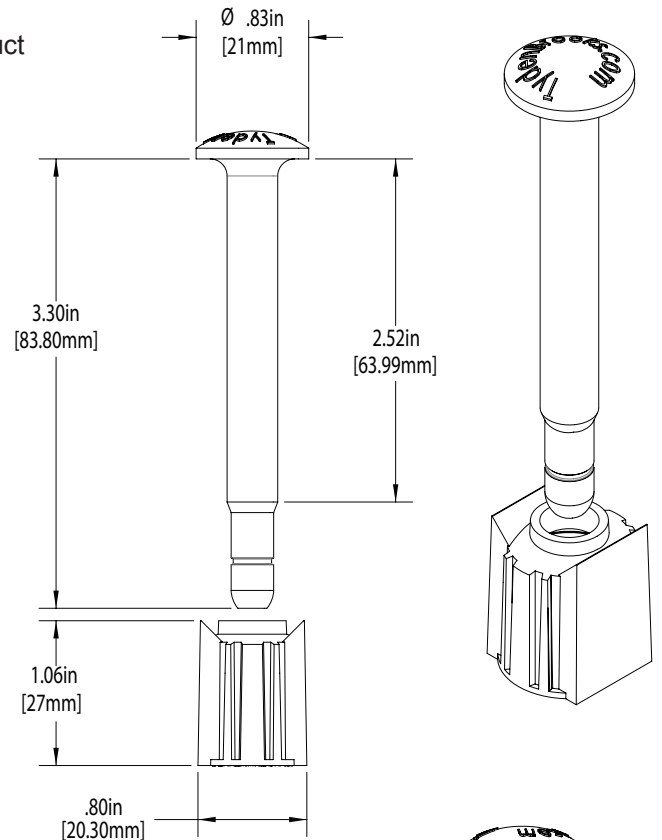
10 Locking Ends/Bag

250 Seals per Carton

Carton Dimensions: 11” x 11” x 7”

(28cm x 28cm x 18cm)

Carton Weight: 47 lbs (22 kg)



Intermodal II 15V2



PEOPLE'S CHOICE AWARD FOR MOST INNOVATIVE PRODUCT



ANGOLA, IN • ATLANTA, GA • TALLAPOOSA, GA • MARTLEY, UK • MEXICO CITY, MX • MONTERREY, MX • SUZHOU, CN

260.624.4800 • 800.344.4772 • www.tydenbrooks.com • info@tydenbrooks.com

